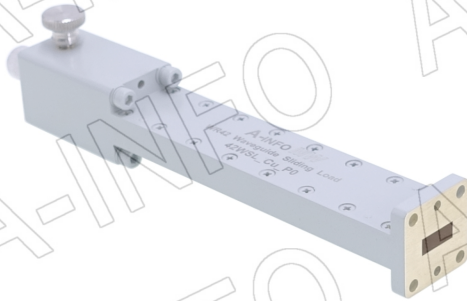


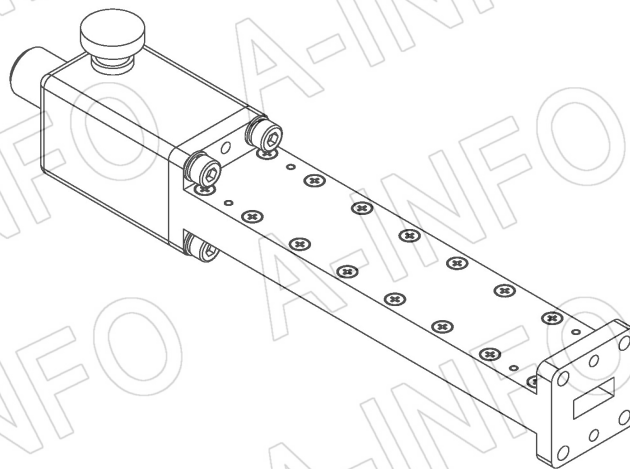
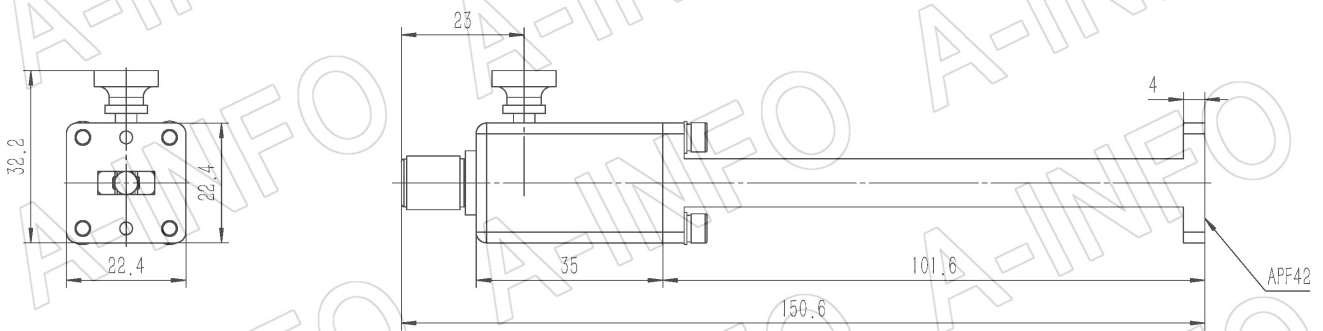
For reference only. See data sheet for the detailed specifications.

Technical Specification

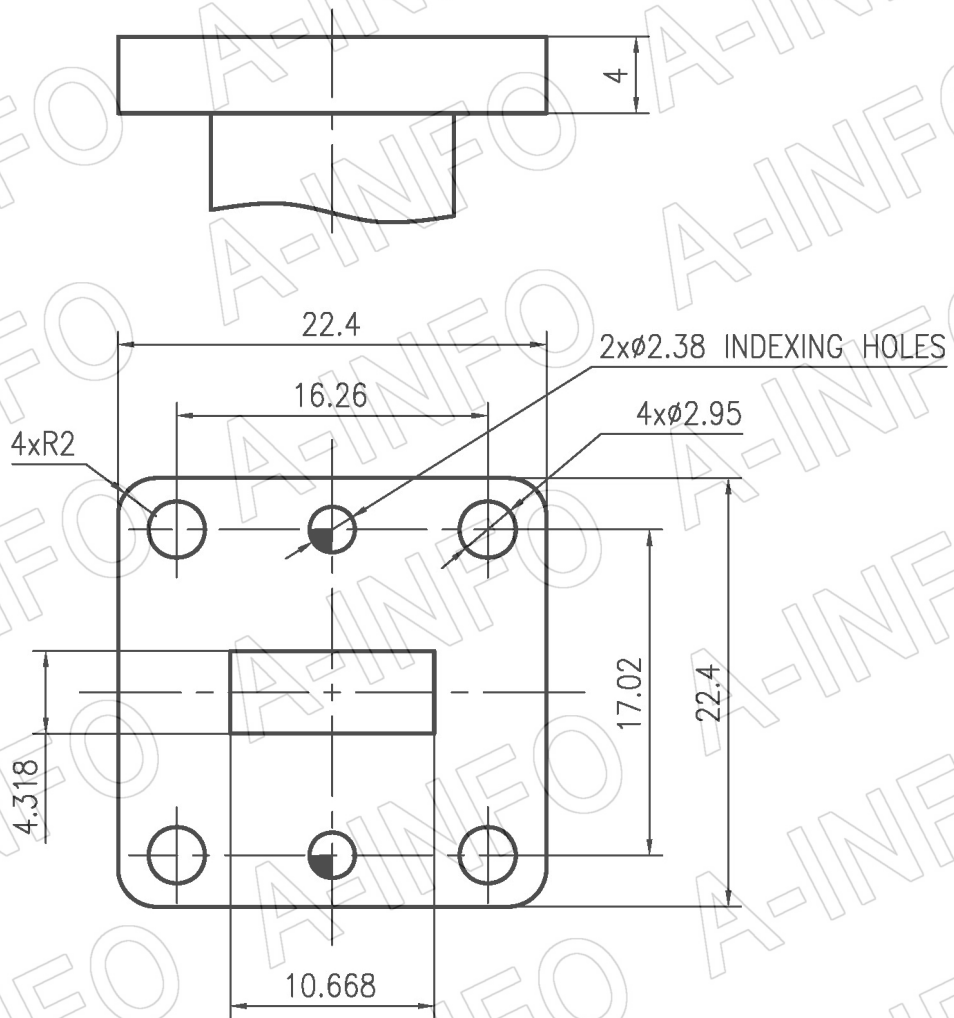


EIA WR	WR42
Frequency Range(GHz)	18.0 – 26.5
VSWR	1.025:1 Max.
Flange	APF42
Average Power(W CW)	0.5 Max.
Peak Power(KW)	0.5
Material	Cu
Finish	Chemical Conversion Coating, Gray Paint
Size(mm)	150.6 x 22.4 x 32.2
Net Weight(Kg)	0.31 Around

Outline Drawing (Size: mm)



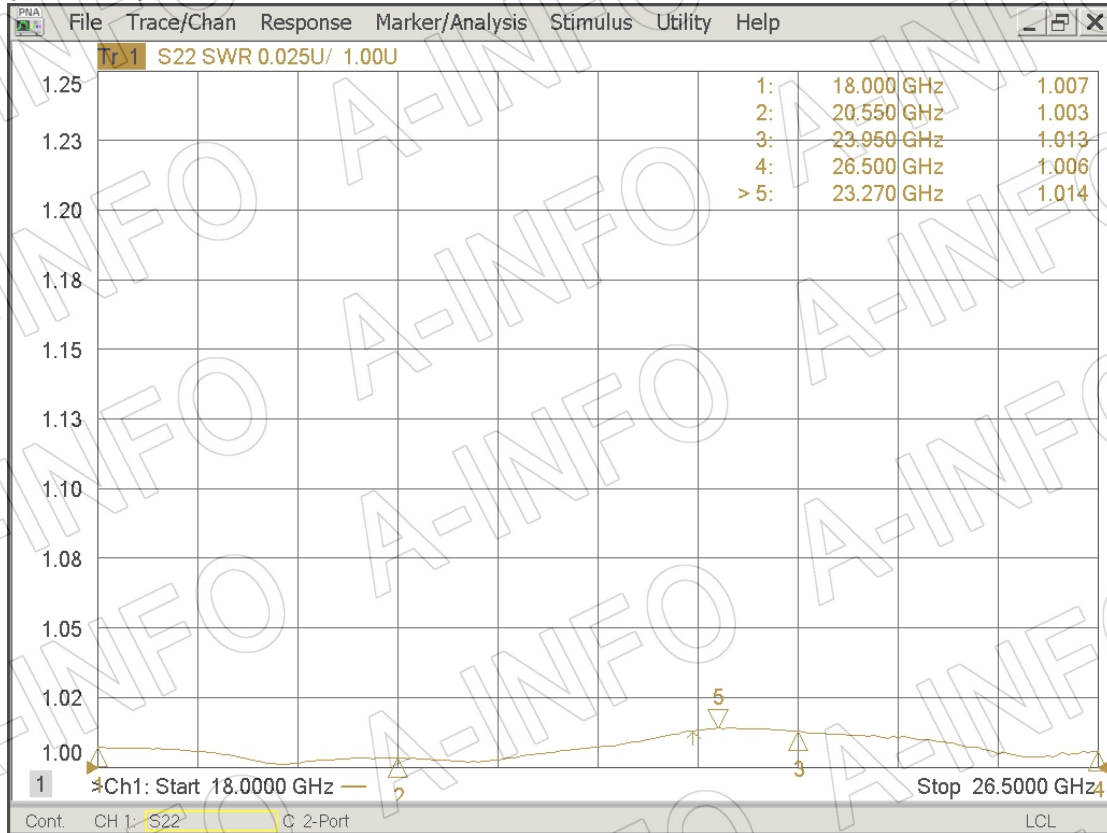
Flange Drawing (Size: mm)



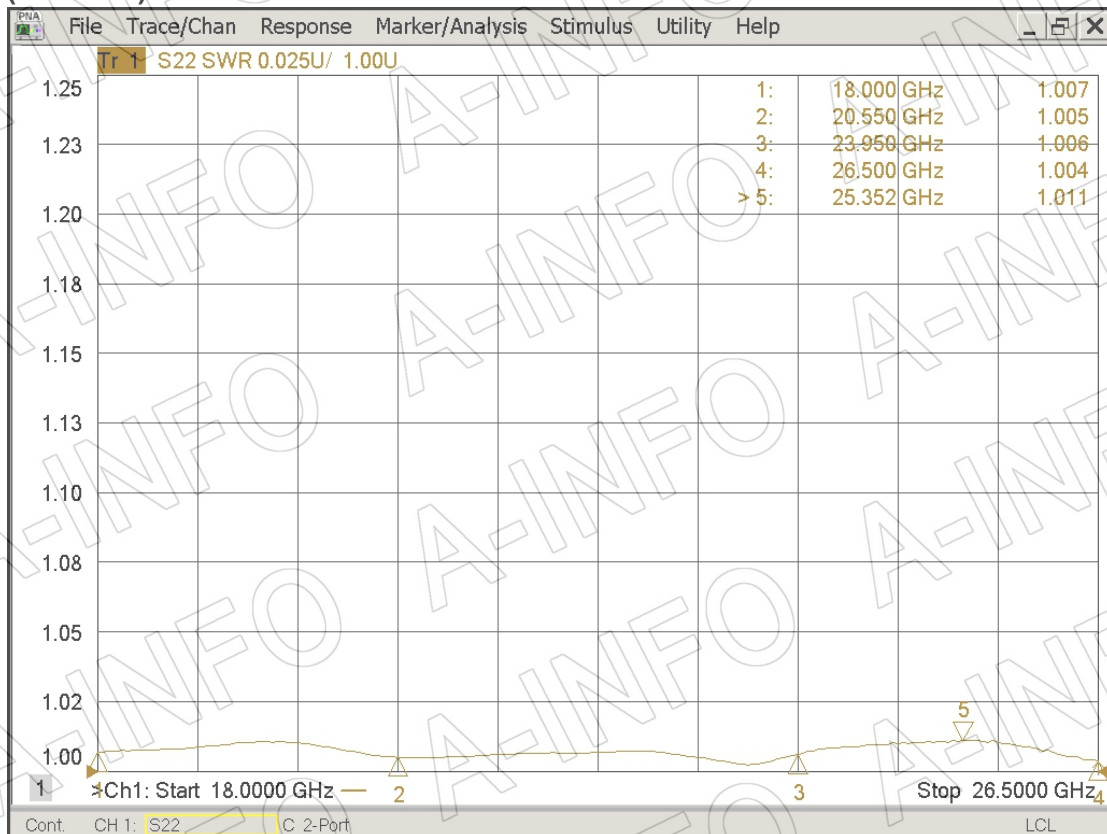
APF42

Test Results

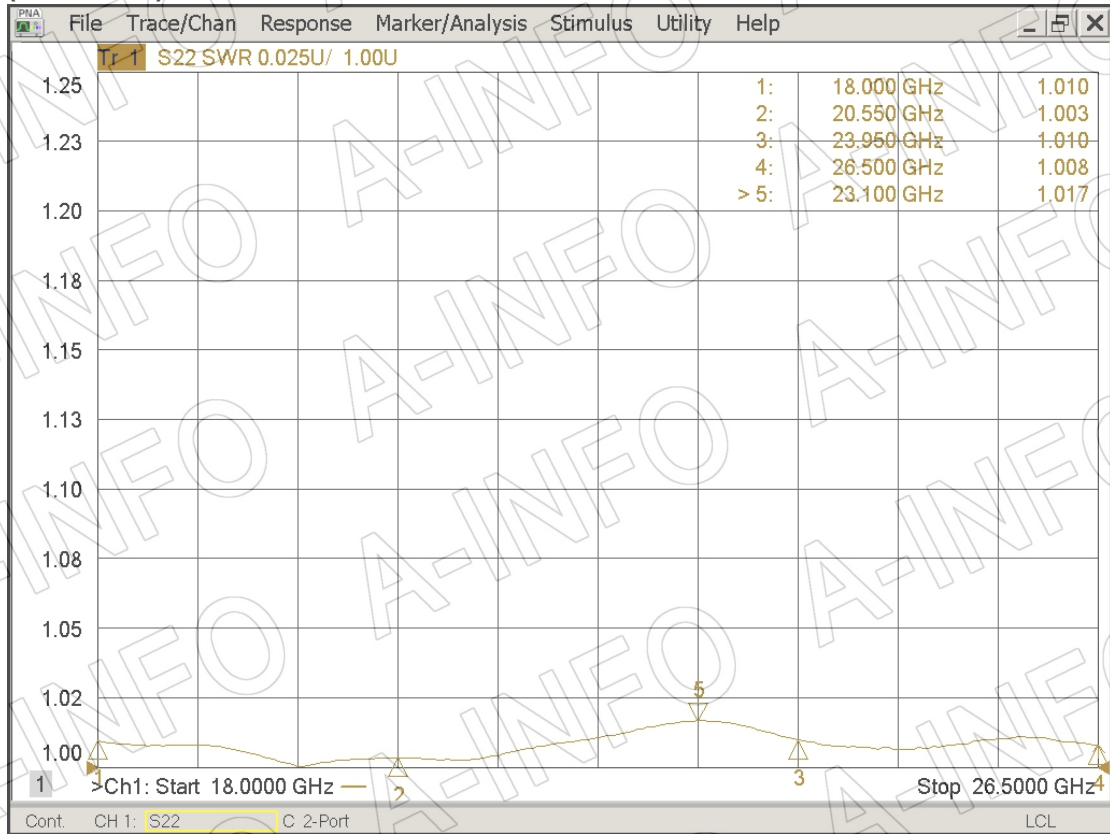
VSWR (at 0 mm)



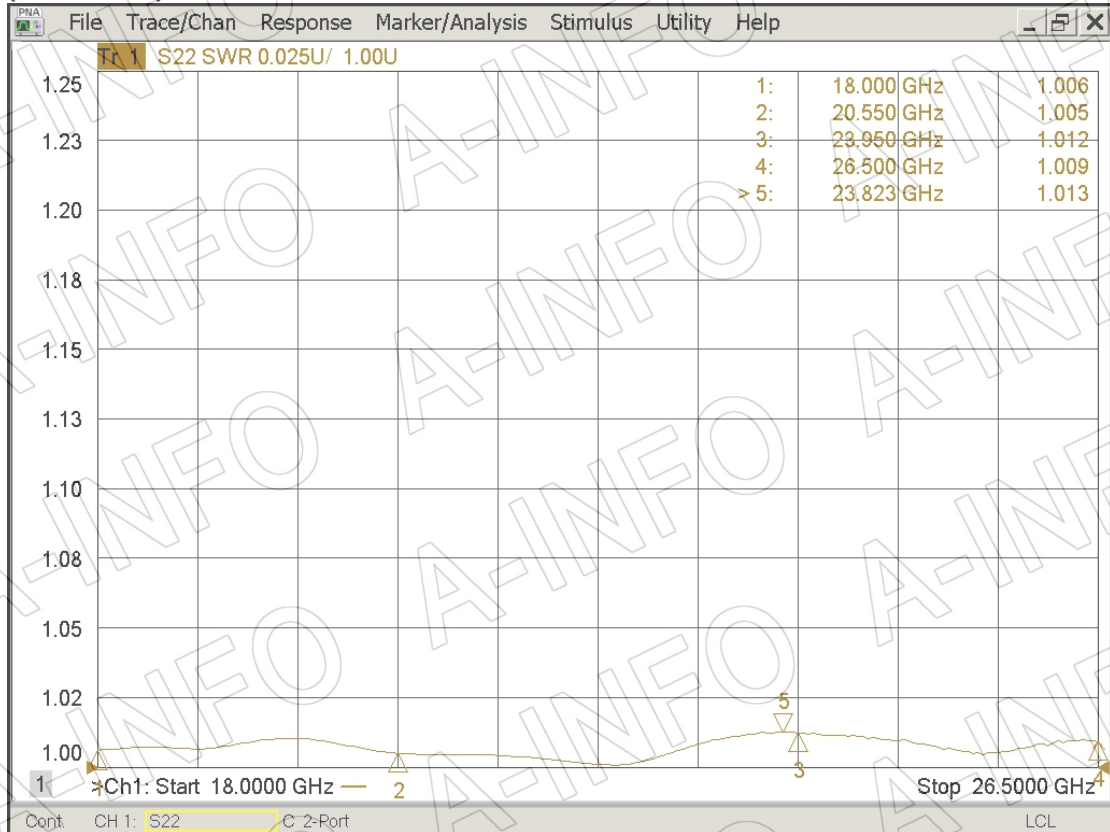
VSWR (at 5 mm)



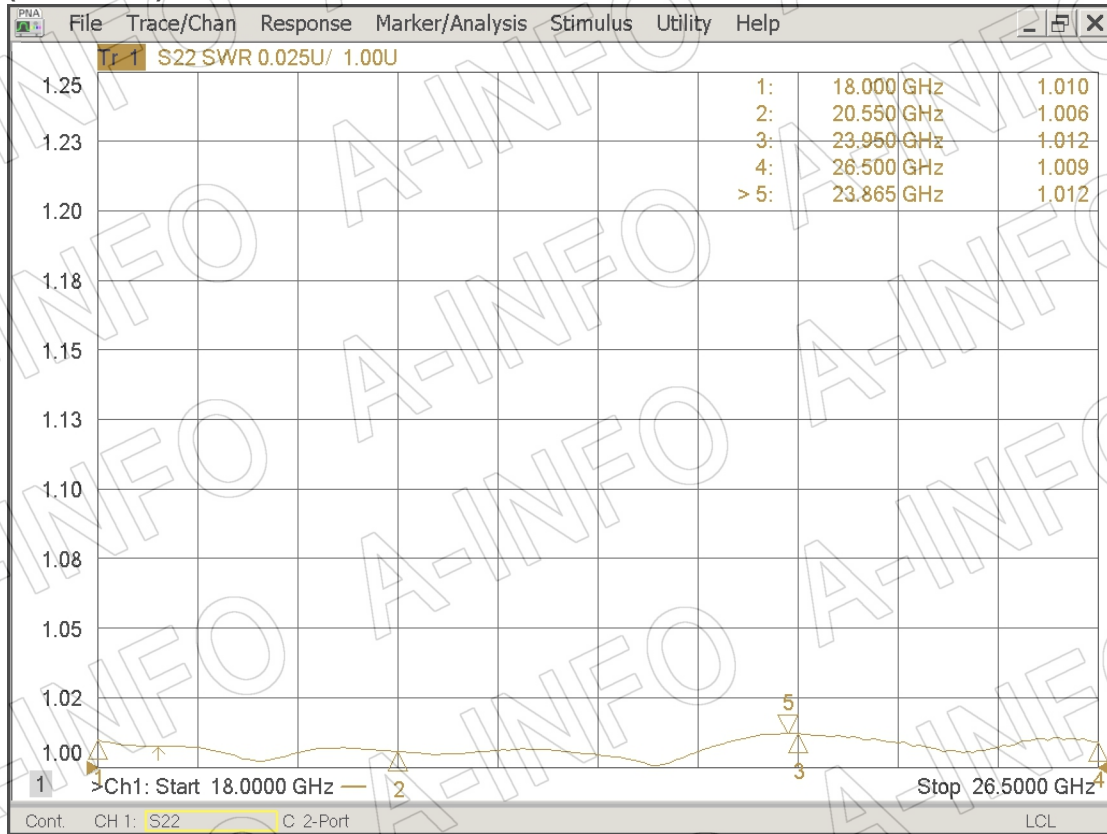
VSWR (at 10 mm)



VSWR (at 15 mm)



VSWR (at 20 mm)



VSWR (at 23 mm)

